



VHF MARINE TRANSCEIVER

IC-M402

Upgraded Version

FORCE 5 AUDIO™

Submersible
1m depth for 30 minutes



Easy to see! Easy to hear!

Large 2-digit Channel with scrolling names

Look at the size of the LCD and the large channel numbers! The large, easy to see display has 27x43mm (1 1/16x1 5/8in.) dimensions, so channel indications are maximized. 10-character channel names and all settings are displayed instantly.



The photo shows actual display size.

Force 5 Audio

The front facing speaker offers loud crisp reception that is easy to hear, even over engine or wind noise.

Submersible (1m depth for 30 minutes)

After each outing, spray the IC-M402 with fresh water to remove any salt. By doing so, you will remove any mineral build-up, and extend the life of the radio.

(Equivalent to JIS Grade 7; except cables)

Built-in DSC capability that meets RTCM SC101

The DSC watch function monitors Ch. 70, even while receiving another channel. It allows you to send a formatted distress message in an emergency. Position data is automatically exchanged between the two stations. Up to 30 DSC IDs are stored.

Optional COMMANDMIC®

Icom's COMMANDMIC® makes it convenient for using the IC-M402 from a separate cabin or tower. It allows you to remotely control most functions of the IC-M402. (except DSC operation) Like the IC-M402, the waterproof COMMANDMIC® is also easy to see and easy to hear!

Optional COMMANDMIC®, HM-127W

Upgraded features

One touch access to Scan button on the front panel

Impressive speaker audio

Position indication in seconds accuracy

NMEA input – RMC, GGA, GNS and GLL sentences

Position report and position request functions

Icom Inc.

ADDITIONAL FEATURES

- Dualwatch and tri-watch functions for monitoring channel 16 and/or another call channel, while receiving on another channel
- Supplied remote function microphone for convenient channel and power selection
- NOAA weather channels with alert function

- Adjustable LCD backlighting and key illumination in 4 steps for nighttime operation
- Simple and easy tag scanning system
- Available in black or white

SPECIFICATIONS

GENERAL

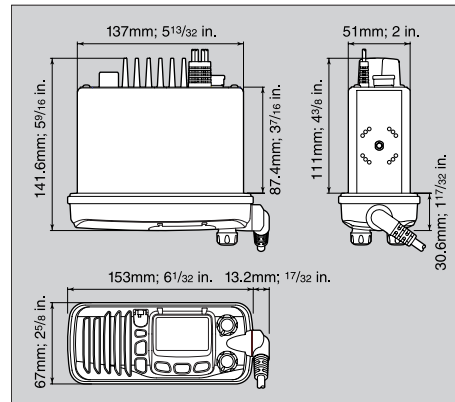
- Frequency range : Tx 156.025–157.425MHz
Rx 156.050–163.275MHz
- Usable channels : USA, CAN, INT, WX channels
- Type of emission : 16K0G3E (FM), 16K0G2B (DSC)
- Power supply requirement : 13.8V DC $\pm 15\%$
- Current drain : Tx 5.5A (at 25W output) (at 13.8V DC)
Rx 1.5A (at AF max.)
- Operating temp. range : -20°C to $+60^{\circ}\text{C}$; -4°F to $+140^{\circ}\text{F}$
- Frequency error : $\pm 10\text{ppm}$ (-20°C to $+60^{\circ}\text{C}$)
- Antenna impedance : 50 Ω (SO-239)
- Dimensions (W×H×D) : 153×67×141.6mm; (proj. not included) $6\frac{1}{32}\times 2\frac{5}{8}\times 5\frac{9}{16}$ in.
- Weight (approx.) : 900g; 2lb
- NMEA formats : RMC, GGA, GNS, GLL

TRANSMITTER

- Output power : 25W, 1W (at 13.8V DC)
- Modulation system : Variable reactance freq. mod.
- Max. freq. deviation : $\pm 5.0\text{kHz}$
- Spurious emissions : Less than -70dBc
- Residual modulation : More than 40dB
- Adjacent Ch. power : More than 70dB

RECEIVER

- Intermediate freq. : 1st 21.7MHz, 2nd 450kHz
- Sensitivity : 0.22 μV typical at 12dB SINAD
- Squelch sensitivity : 0.22 μV
- Adj. Ch. selectivity : More than 70dB
- Spurious response : More than 70dB
- Intermodulation : More than 70dB
- Hum and noise : More than 40dB
- Audio output power : 4.5W typical at 10% distortion with a 4 Ω load



Supplied accessories:

- Hand microphone, HM-141B/W
- DC power cable
- Mounting bracket kit

All stated specifications are subject to change without notice or obligation.

OPTIONS



- **MB-69 FLUSH MOUNT KIT**
For flush-mounting the IC-M402 to a flat surface such as an instrument control panel.
- **MB-92 DUST COVER**
Protects the IC-M402 from dust and strong sunlight when the radio is not in use.
- **OPC-999 EXTENSION CABLE FOR HM-127B/W**
6.1m (20ft) of extension cable for additional lengthening for use with COMMANDMIC[®].
- **HM-141B/141W HAND MICROPHONES**
Black and white are available. Same as supplied.

COMMANDMIC[®]



- **HM-127B/W REMOTE-CONTROL MICROPHONES**
Up to 21.3m (70ft) of freedom from the IC-M402 with two OPC-999 extension cables. Allows you to control all functions of the IC-M402 (except DSC operation).
Size (W×H×D): 63.5×125.0×31.4mm; $2\frac{1}{2}\times 4\frac{29}{32}\times 1\frac{1}{4}$ in.
Weight (approx.; with 3m curl cable): 250g; 8.8oz
Supplied accessories :
• 6.1m (20ft) of cable • Microphone hanger
• Mounting base for cable connector



COMMANDMIC is a registered trademark of Icom Inc. (Japan) in the United States. FORCE5AUDIO logo is a trademark of Icom Inc. (Japan) in the United States.

Icom Inc.

1-1-32, Kamiminami, Hirano-ku, Osaka 547-0003, Japan Phone: +81 (06) 6793 5302 Fax: +81 (06) 6793 0013 URL: <http://www.icom.co.jp/world/index.html>

Count on us!

Icom America Inc.

<Corporate Headquarters>
2380 116th Avenue N.E., Bellevue, WA 98004, U.S.A.
Phone: +1 (425) 454-8155 Fax: +1 (425) 454-1509
URL : <http://www.icomamerica.com>
<Customer Service> Phone: +1 (425) 454-7619

Icom Canada

Glenwood Centre #150-6165 Highway 17,
Delta, B.C., V4K 5B8, Canada
Phone: +1 (604) 952-4266 Fax: +1 (604) 952-0090
URL : <http://www.icomcanada.com>

Icom (Australia) Pty. Ltd.

A.B.N. 88 006 092 575
290-294 Albert Street, Brunswick, Victoria, 3056, Australia
Phone: +61 (03) 9387 0666 Fax: +61 (03) 9387 0022
URL : <http://www.icom.net.au>

Icom New Zealand

146A Harris Road, East Tamaki, Auckland, New Zealand
Phone: +64 (09) 274 4062 Fax: +64 (09) 274 4708
URL : <http://www.icom.co.nz>

Icom (Europe) GmbH

Communication Equipment
Himmelgeister Str. 100, D-40225 Düsseldorf, Germany
Phone: +49 (0211) 346047 Fax: +49 (0211) 333639
URL : <http://www.icomeurope.com>

Icom Spain S.L.

Crta. de Gracia a Manresa Km. 14,750
08190 Sant Cugat del Valles Barcelona, Spain
Phone: +34 (93) 590 26 70 Fax: +34 (93) 589 04 46
URL : <http://www.icomspain.com>

Icom (UK) Ltd.

Unit 9, Sea St., Herne Bay, Kent, CT6 8LD, U.K.
Phone: +44 (01227) 741741 Fax: +44 (01227) 741742
URL : <http://www.icomuk.co.uk>

Icom France S.a

Zac de la Plaine, 1, Rue Brindejonc des Moulinais
BP 5804, 31505 Toulouse Cedex, France
Phone: +33 (5) 61 36 03 03 Fax: +33 (5) 61 36 03 00
URL : <http://www.icom-france.com>

Asia Icom Inc.

6F No. 68, Sec. 1 Cheng-Teh Road, Taipei, Taiwan, R.O.C.
Phone: +886 (02) 2559 1899 Fax: +886 (02) 2559 1874
URL : <http://www.asia-icom.com>

Beijing Icom Ltd.

1305, Wanshang Plaza, Shijingshan Road, Beijing, China
Phone: +86 (010) 6866 6337 Fax: +86 (010) 6866 3553
URL : <http://www.bjicom.com>



JP98/14190QA TW03/00288EM
Icom Inc. (Japan), is an ISO 9001 and ISO 14001 certification acquired company.

Your local distributor/dealer: